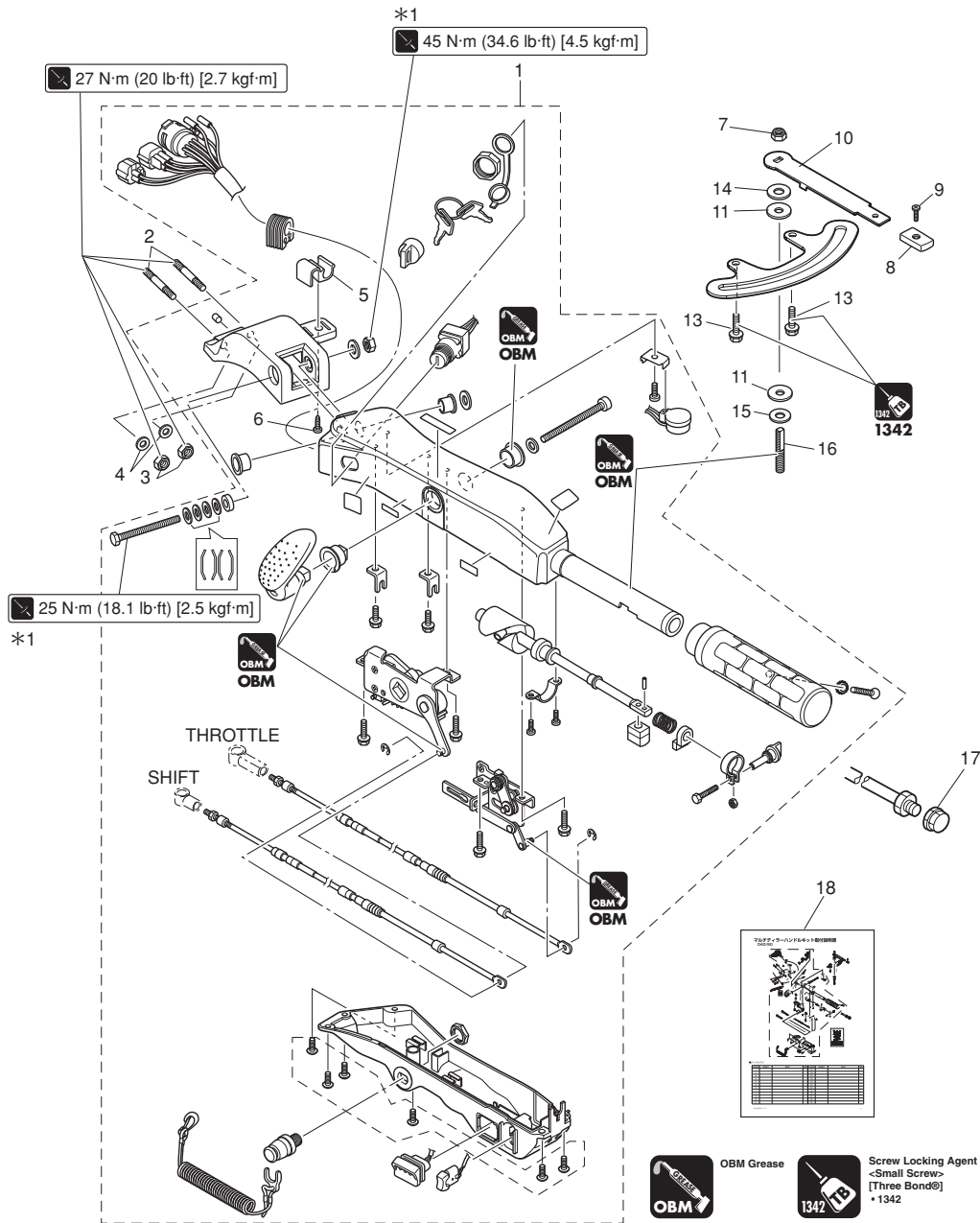


# Multi-Function Tiller Handle Kit installation Manual

## F40/50



\*1 Tighten in the following order.  
 ① Tighten the bolt with specified torque.  
 ② Tighten the nut with specified torque. At this time, hold the bolt to prevent rotation.

### Parts List

Ref. No.	Part No.	Part name	Q'ty	Ref. No.	Part No.	Part name	Q'ty
	3KYQ63000-1	TILLER HANDLE KIT	1 set	10	3KY-62441-0	FRICITION LEVER	1
1	-	TILLER HANDLE ASSY	1	11	3GF-62449-0	DISC	2
2	9153E3-1040	STUD	2	12	3KY-62447-0	PLATE	1
3	930403-1000	NYLON NUT	2	13	3V1-60108-0	BOLT (stud)	2
4	9401E3-1000	WASHER	2	14	3B7-63730-0	WASHER	1
5	3GF-62004-0	CORD HOLDER	1	15	3R3-62443-0	WASHER	1
6	3T5-06437-0	TAPPING SCREW	1	16	3GF-62445-0	BOLT	1
7	3V5-62442-0	NYLON NUT	1	17	346-62127-0	CAP NUT	2
8	3AC-63012-0	GRIP	1	18	-	TILLER HANDLE KIT MANUAL	1
9	346-66334-0	STOPPER	1				

3KY-63300-1

# Preface

This manual covers the Multi-Function Tiller Handle Kit installation procedure.

Read this manual carefully and perform the correct procedures. Only Authorized Dealers should perform the set-up and installation.

## GENERAL SAFETY INFORMATION

Before installing, operating or otherwise handling your outboard motor, be sure to thoroughly read and understand this Owner's Manual and carefully follow all of the instructions.

**⚠ DANGER**

**Indicates the presence of a hazard which, if ignored, will result in severe injury or death.**

**⚠ WARNING**

**Indicates the presence of a hazard or an unsafe activity which, if ignored, could result in severe injury or death.**

**⚠ CAUTION**

**Indicates the presence of a hazard or an unsafe activity which, if ignored, could result in minor personal injury or damage to the products or facilities.**



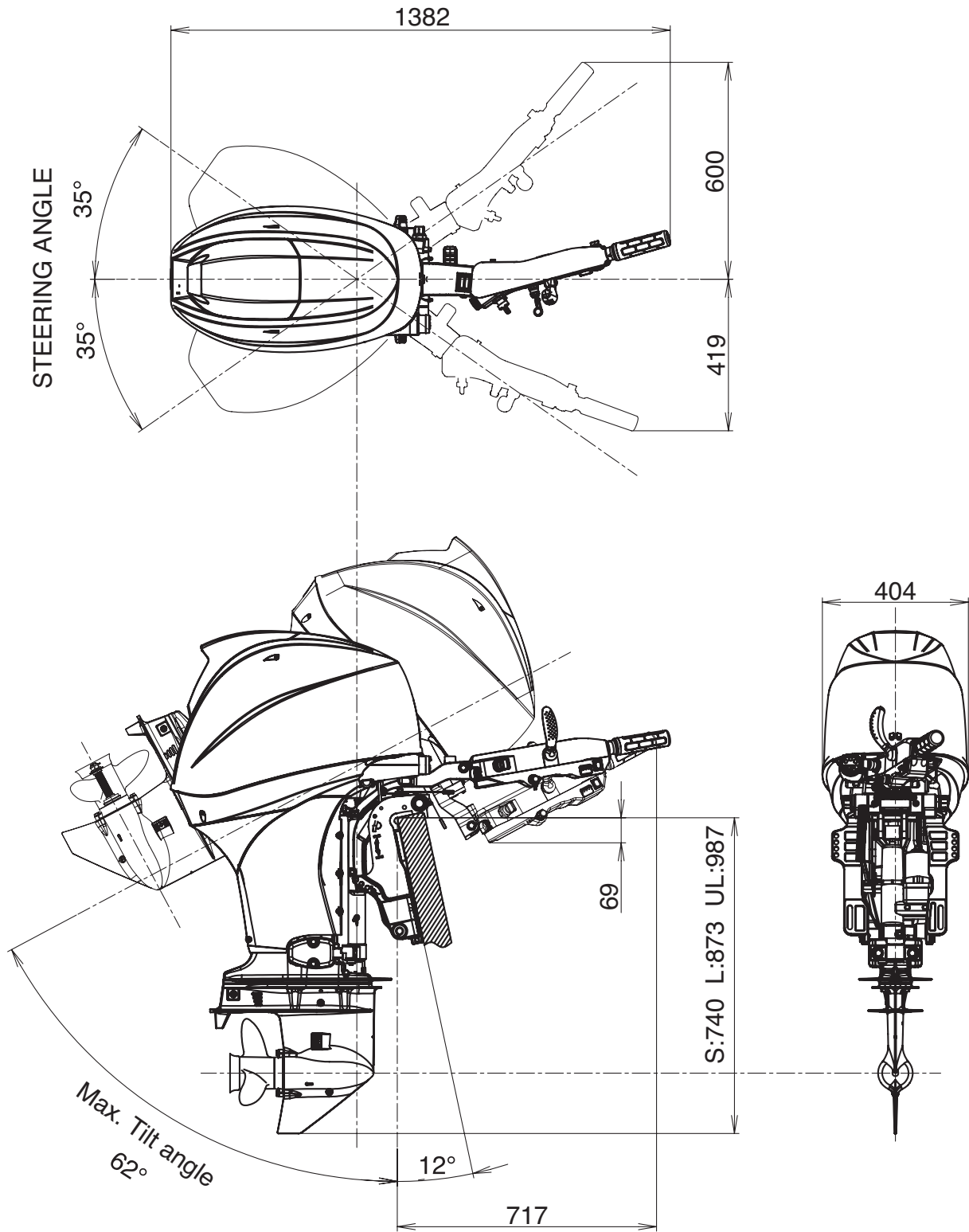
---

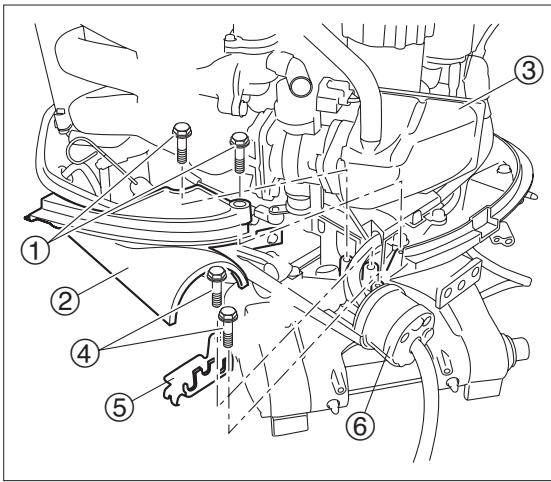
## Contents

Parts List .....	1
Dimensions for full tilt up and steering .....	3
Preparation .....	4
Multi-function Tiller Handle installation .....	4
Shift/Throttle cable adjustment .....	6
Friction Lever Installation.....	8
Friction Lever adjustment and operation.....	8
Operation inspection .....	9
Wiring Diagram .....	10

## Dimensions for full tilt up and steering

Be sure to confirm that NO parts will interfere with the boat or transom when the motor is at full tilt.  
Do NOT install if any parts that could interfere with the boat or transom.





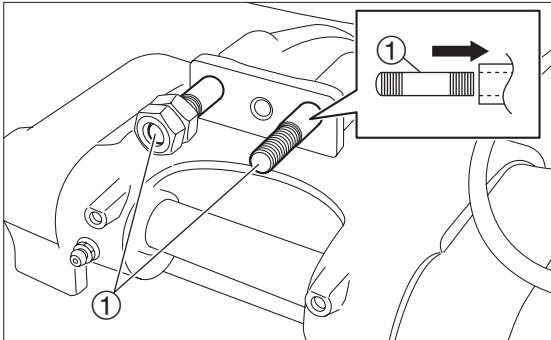
## Preparation

1. Remove bolt ① and remote cont. cable stay cover ②.



Remove air silencer ③ to remove remote control cover.

2. Remove bolt ④ and cable clip ⑤.
3. Remove cable grommet ⑥.



## Multi-function Tiller Handle installation

1. Install stud bolt ①.



Use double nut to install stud bolt.



### Stud bolt

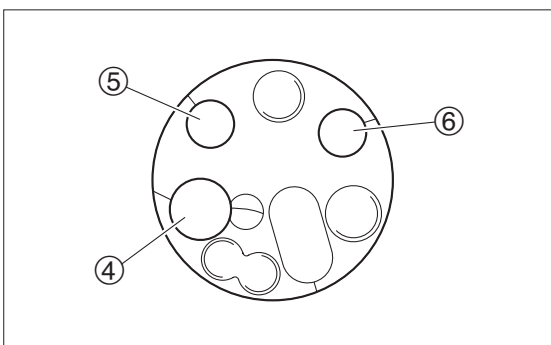
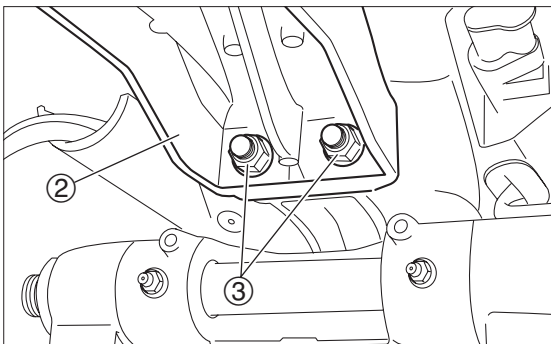
27 N · m (20 lb·ft) [2.7 kgf·m]

2. Install Multi-function tiller handle Assy ②, nylon nut and washer (2pcs.) ③.

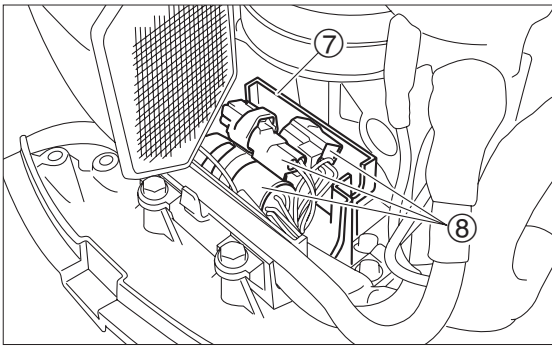


### Nylon nut

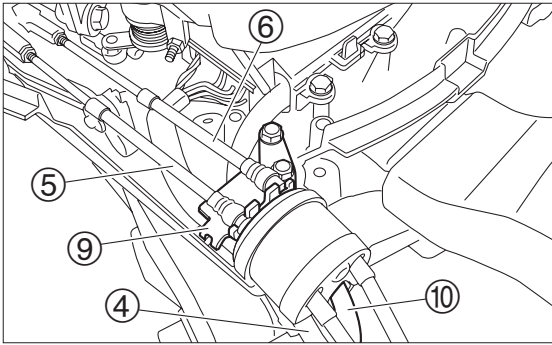
27 N · m (20 lb·ft) [2.7 kgf·m]



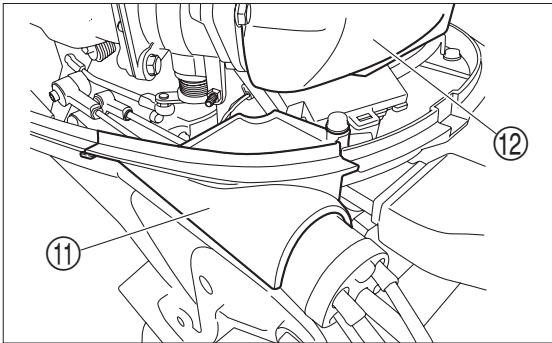
3. Insert main harness ④ from tiller handle, shift cable ⑤ and throttle cable ⑥.



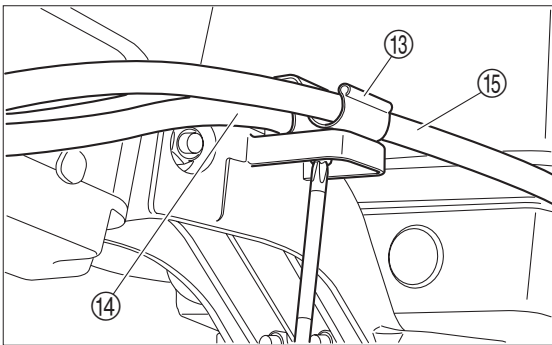
4. Open cable terminal holder cover (7), connect three connectors (8), and then close cover.



5. Install cable clip (9) to mount battery cable (10) and main harness (4). Install grommet, and insert shift cable (5), throttle cable (6) to cable clip.



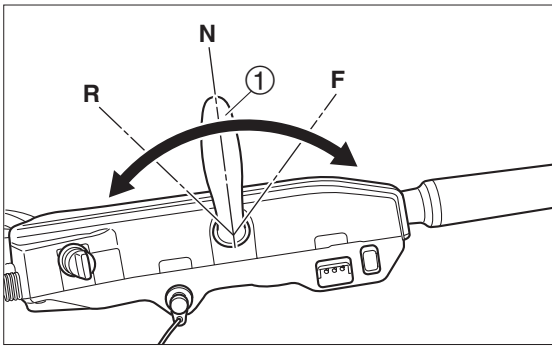
6. Install remote cont. cable stay cover (11), and then install air silencer (12).



7. Install code holder (13) to multi function tiller handle, put in battery cord (14) and fuel hose (15).

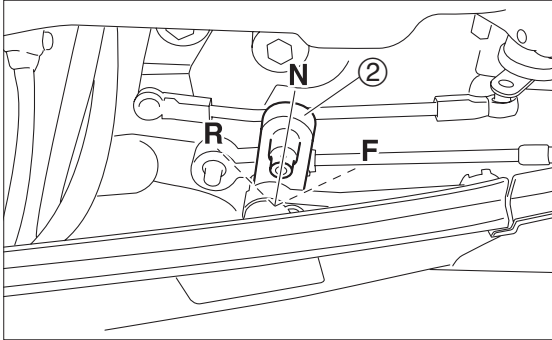
## Shift/Throttle cable adjustment

1. Place shift lever ① at neutral position.

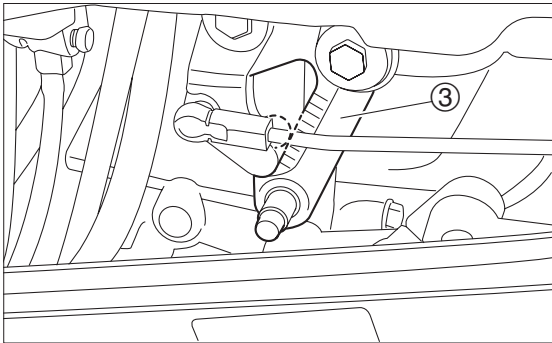


**⚠ CAUTION**  
**Shift lever cannot work unless throttle is fully closed. Do not force the shift.**

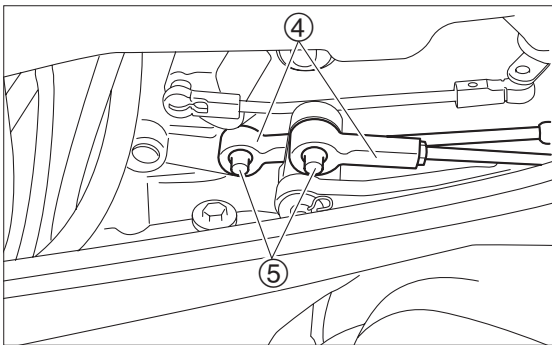
2. Set shift arm ② to forward (F), neutral (N), reverse (R) and then to neutral (N) positions.



3. Set throttle cam ③ to full close position.



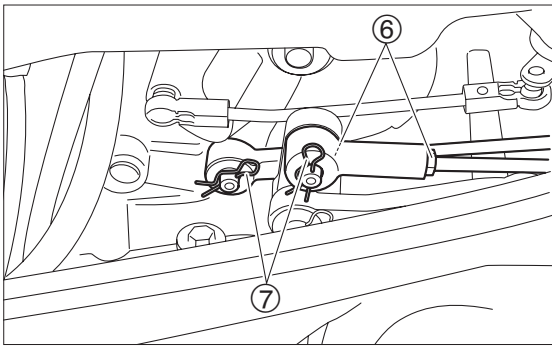
4. Adjust screw-in length of cable joint ④ so that hole of cable joint is brought to throttle arm pin and shift arm pin ⑤.



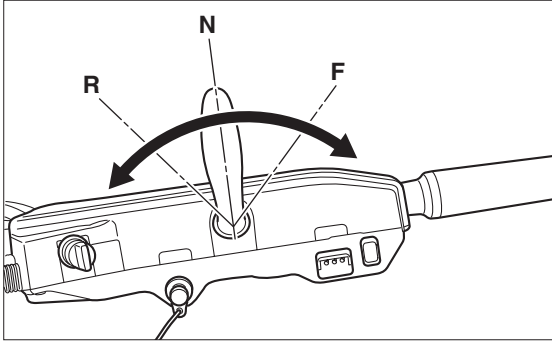
**⚠ WARNING**  
**Screw-in remote control cable joint at least 12 mm (b).**



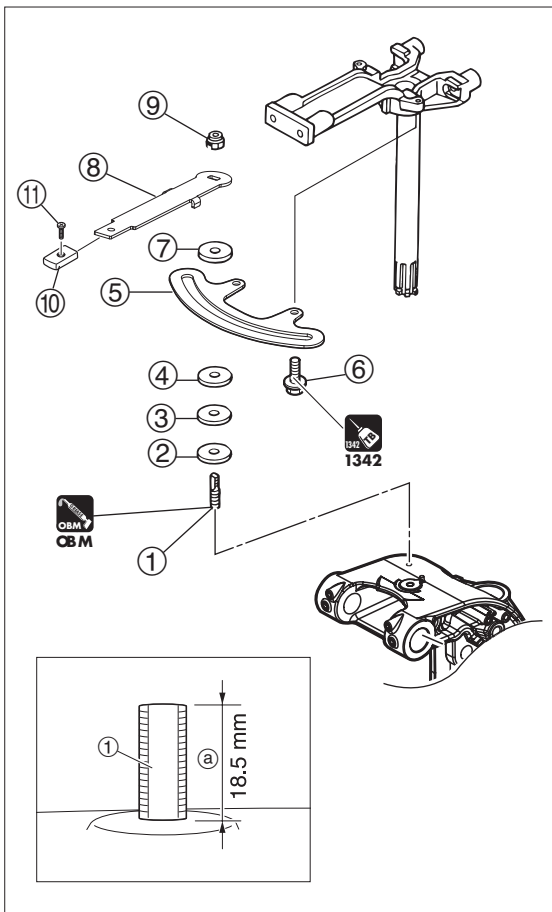
- Cable joints are in the outboard box.
- After adjusting remote control cable joint, fix it with remote control cable fully pushed in.



5. Lock joint with nut ⑥, put in on the pin, and secure with washer and R-pin ⑦.



6. Check the shift lever operation to forward (F), neutral (N) and reverse (R) position.



## Friction Lever Installation

1. Install following parts, following steps.

- bolt ①

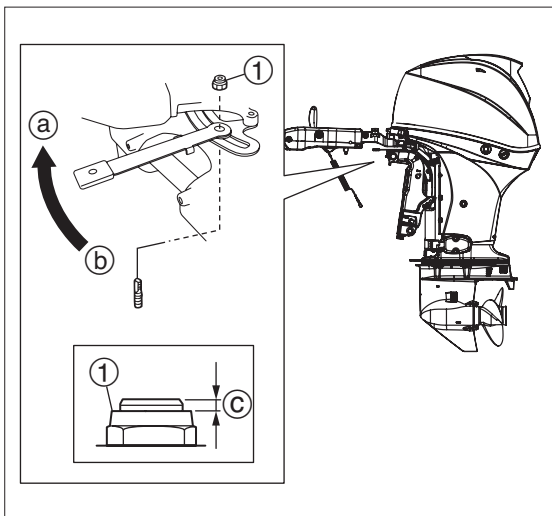


Tighten bolt ① until the length of ① would be 18.5 mm.

- Washer (Nylon) ②
- Washer ③
- Disk ④
- Plate ⑤
- Bolt (2pcs.) ⑥
- Disk ⑦
- Friction Lever ⑧
- Nylon nut ⑨
- Grip ⑩
- Stopper ⑪



Do not apply grease to washers.



## Friction Lever adjustment and operation

- Move friction lever towards starboard side ① and tighten nylon nut ① to adjust maximum friction.
- Move friction lever towards port side ② and confirm steering moves easily.

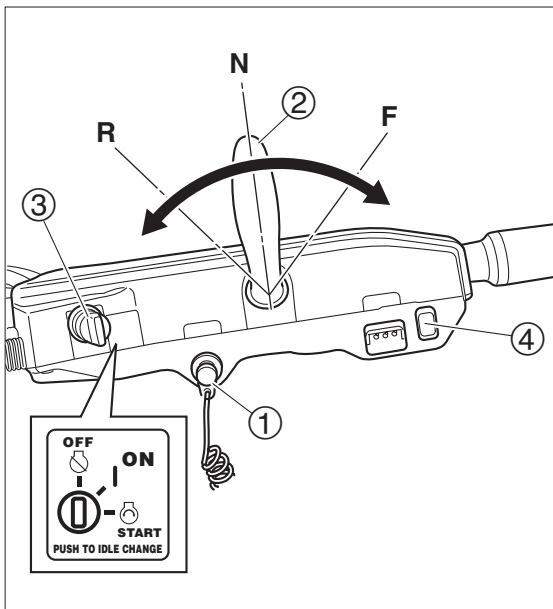
### ⚠ WARNING

- **Do not release tiller handle while operating. Friction lever is not for holding steering completely.**
- **Do not overtighten the steering friction or it could result in difficulty of movement resulting in the loss of control causing an accident and could lead to severe injury.**

### ⚠ CAUTION

- **Do not tighten bolt until more than one thread of bolt ③ can be seen above the nut or it could result in interfere with tiller handle.**





## Operation inspection

- Install stop switch lanyard ①.
- Place shift lever ② into neutral (N) position.
- Insert key ③ and place it into “OFF” position.

### ⚠ CAUTION

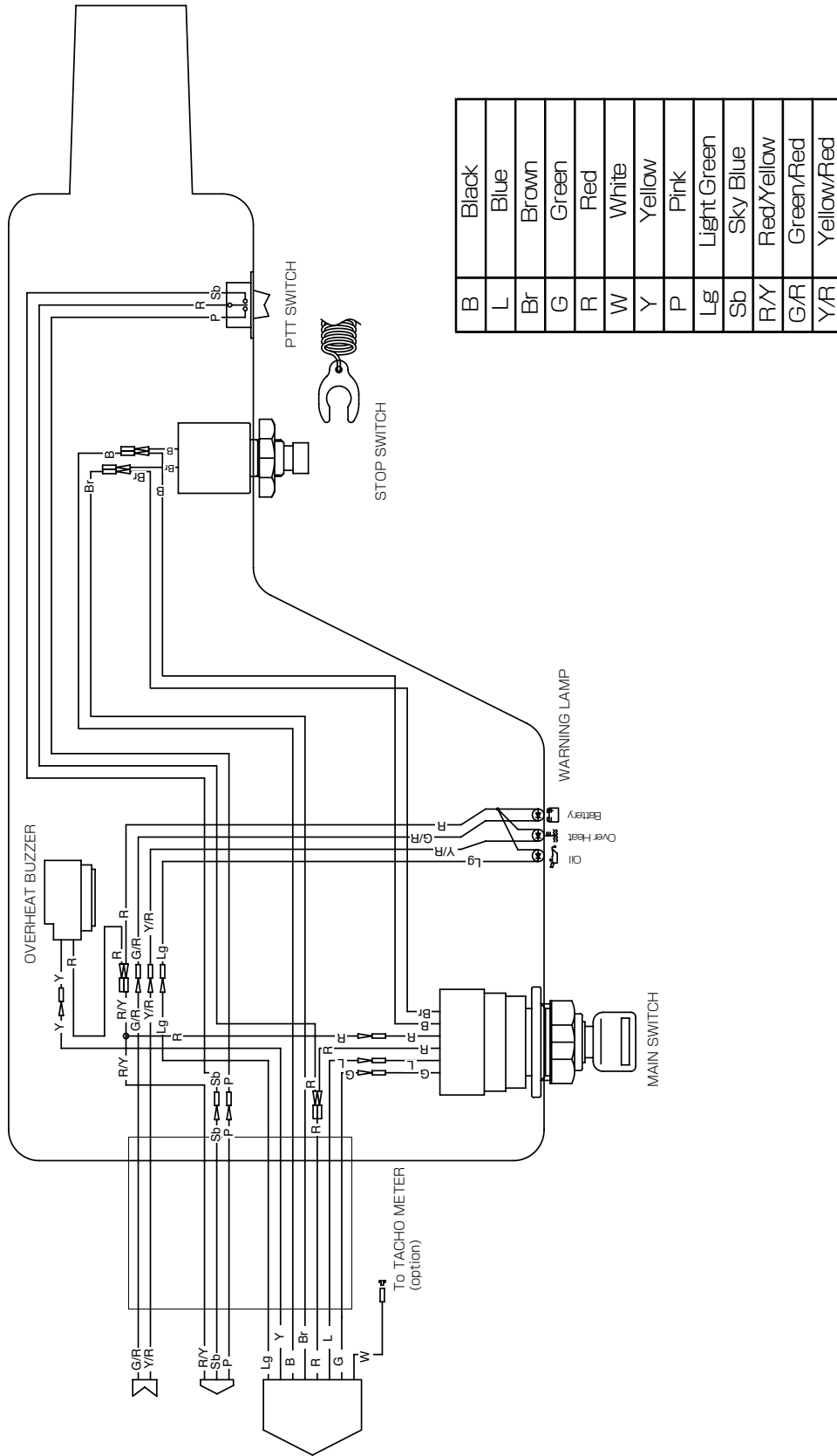
- **Do not operate the engine with gear case out of water.**
- **Shift lever cannot work unless throttle is fully closed. Do not force to change the shift.**
- **Be sure to confirm that NO parts will interfere with the boat or transom when the motor is at full tilt.**

- Neutral switch  
Confirm that the engine does not start except when in neutral.
- Stop Switch  
Confirm that engine will stop when turn the key into “OFF” position or by removing the stop switch lanyard.
- PTT Switch ④  
Press the “UP” and “DOWN” switch and confirm PTT is working correctly.
- Engine rotation  
Start engine and confirm whether idling rpm is stable.
- Each time the main switch key is pressed in the above manner, engine speed changes as follow chart.
- Also, confirm whether engine rpm accelerates smoothly.

### At stating

850 rpm	→	750 rpm	→	650 rpm
↑				↓
	←	850 rpm	←	750 rpm

# Wiring Diagram



\*"/" means cord with striped colors.

Copyright © 2016 Tohatsu Corporation. All rights reserved. No part of this manual may be reproduced or transmitted in any form or by any means without the express written permission of Tohatsu Corporation.

## Contact

### TOHATSU CORPORATION

Address: 5-4, Azusawa 3-Chome, Itabashi-ku, Tokyo, Japan

Phone: +81-3-3966-3117