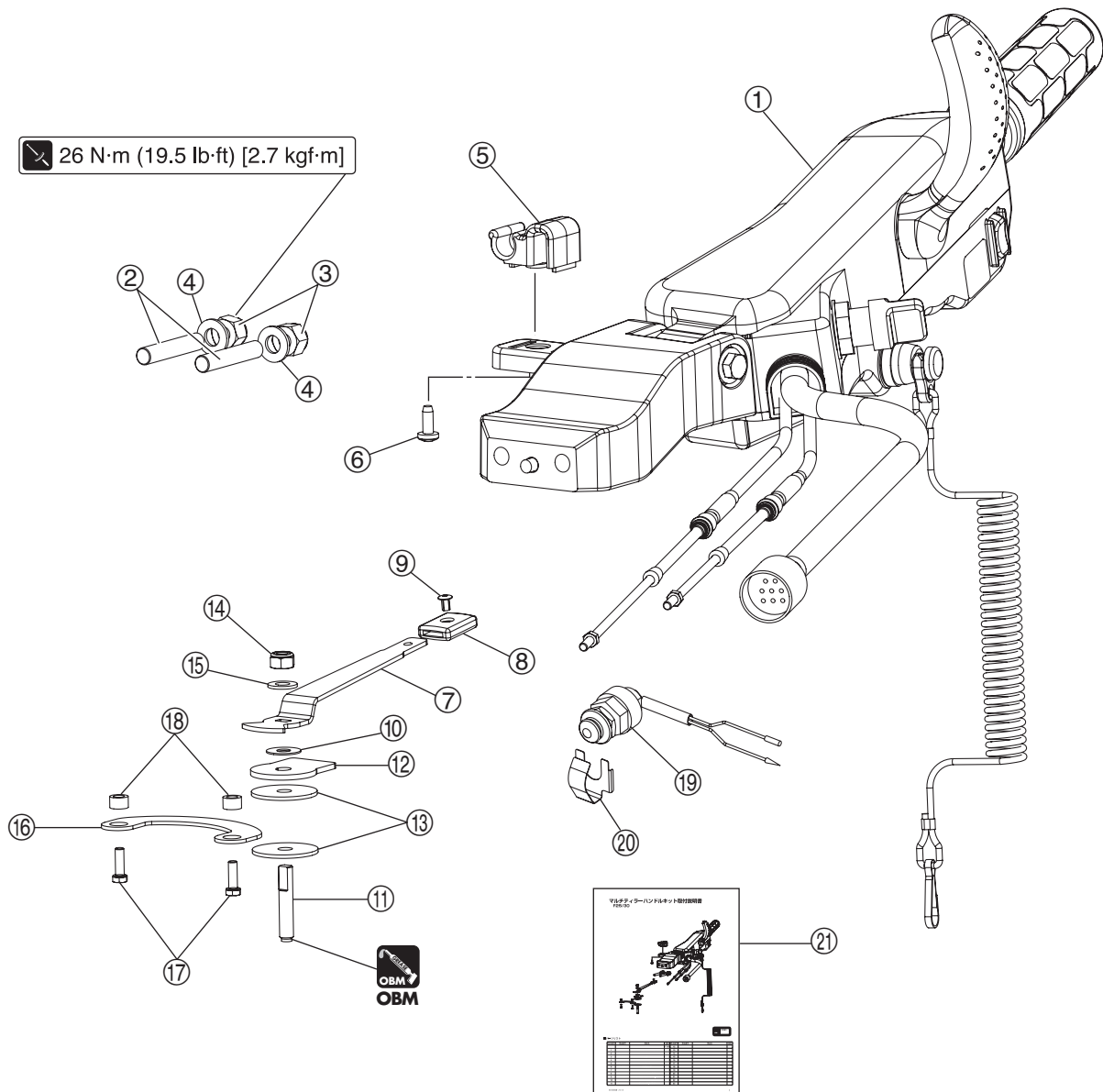


Multi-Function Tiller Handle Kit installation Manual

F25/30



Parts List

Ref.No.	Part No.	Part name	Q'ty	Ref.No.	Part No.	Part name	Q'ty
	3AHQ63000-0	TILLER HANDLE KIT	1 set	11	3R3-62445-0-0	BOLT	1
1	-	TILLER HANDLE ASSY	1	12	3R3-62448-1	WASHER	1
2	9153E3-1040	STUD	2	13	3R3-62449-0	DISC	2
3	930403-1000	NYLON NUT	2	14	930403-0800	NYLON NUT	1
4	9401E3-1000	WASHER	2	15	9401E3-0800	WASHER	1
5	3GF-62004-0	CORD HOLDER	1	16	3AC-62447-0	PLATE	1
6	3T5-06437-0	TAPPING SCREW	1	17	910103-5616	BOLT	2
7	3AC-62441-0	FRICTION LEVER	1	18	3AC-63619-0	COLLAR	2
8	3AC-63012-0	GRIP	1	19	361-76080-0	NEUTRAL SWITCH	1
9	346-66334-0	STOPPER	1	20	398-76083-0	NEUTRAL SWITCH ACTUATOR	1
10	3R3-62443-0	WASHER	1	21	-	TILLER HANDLE KIT MANUAL	1

3AH-63300-0

Preface

This manual covers the Multi Function Tiller Handle Kit installation procedure.

Read this manual carefully and perform the correct procedures. Only Authorized Dealers should perform the set up and installation.

Multi-Function Tiller Handle is applicable to the production after 014361AB models.

GENERAL SAFETY INFORMATION

Before installing, operating or otherwise handling your outboard motor, be sure to thoroughly read and understand this Owner's Manual and carefully follow all of the instructions.

⚠ DANGER

Indicates the presence of a hazard which, if ignored, will result in severe injury or death.

⚠ WARNING

Indicates the presence of a hazard or an unsafe activity which, if ignored, could result in severe injury or death.

⚠ CAUTION

Indicates the presence of a hazard or an unsafe activity which, if ignored, could result in minor personal injury or damage to the products or facilities.

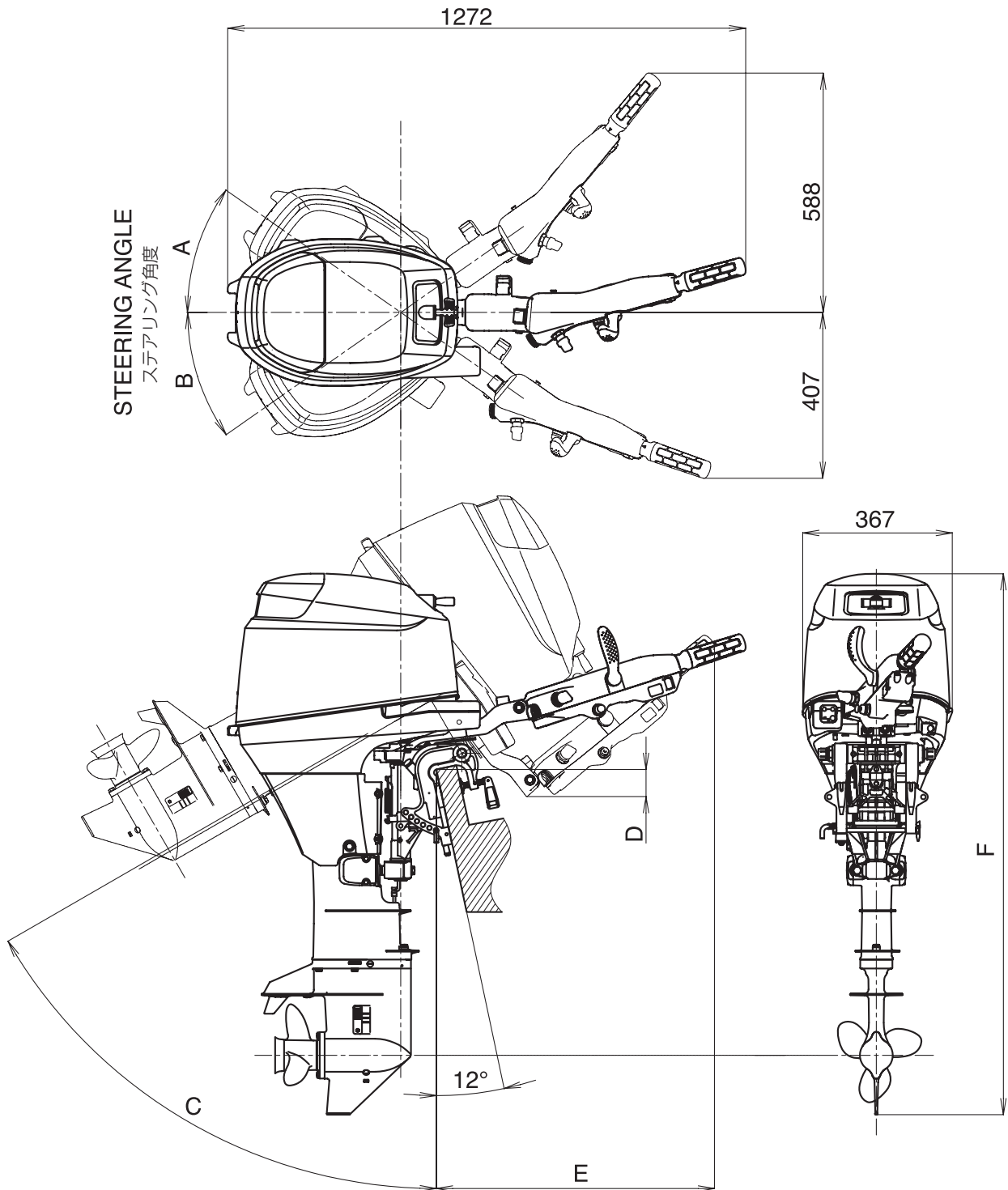


Contents

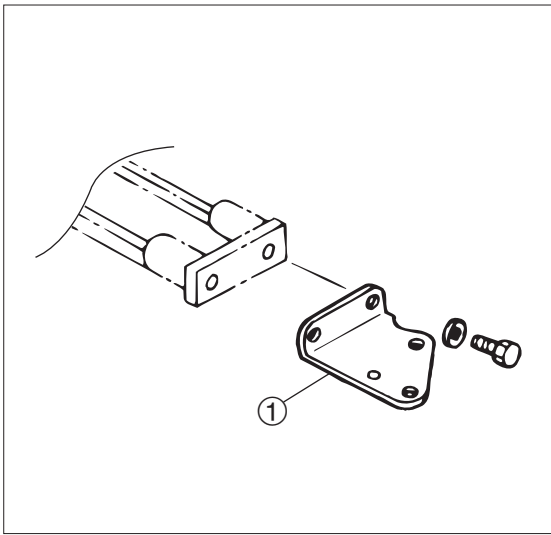
Parts List	1
Dimensions for full tilt up and steering	3
Preparation	4
Friction Lever Installation.....	5
Friction Lever adjustment and operation.....	5
Multi function Tiller Handle installation	6
Shift/Throttle cable adjustment	7
Wiring connection	8
Operation Inspection	9
Wiring Diagram	10

Dimensions for full tilt up and steering

Be sure to confirm that NO parts will interfere with the boat or transom when the motor is at full tilt.
Do NOT install if any parts interfere with the boat or transom.

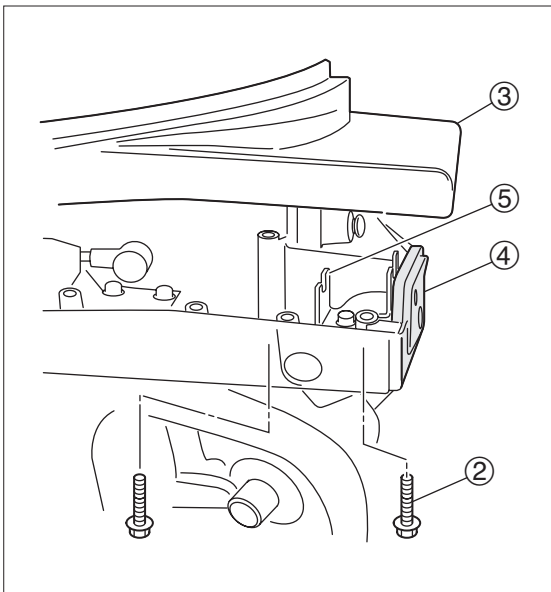


TILT TYPE	A	B	C	D	E	F		
						S	L	UL
MANUAL	36°	36°	60°	61mm	683mm			
PTT	35°	35°	62°	48mm	682mm	1187mm	1335mm	1462mm
GAS ASSIST	35°	35°	56°	66mm	651mm			

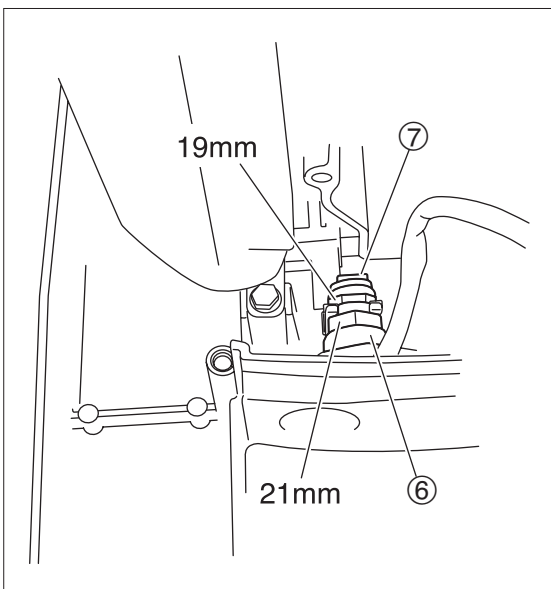


Preparation

1. Remove steering hook plate ①.



2. Remove 4 bolts ② and then, remove cable cover ③.
3. Remove cable grommet ④.
4. Remove cable clip ⑤.



5. **P (Remote steer) production model** require to install neutral switch, that is included in this kit. Install neutral switch ⑥ and actuator ⑦ by using wrench. (Crowfoot and U joint)

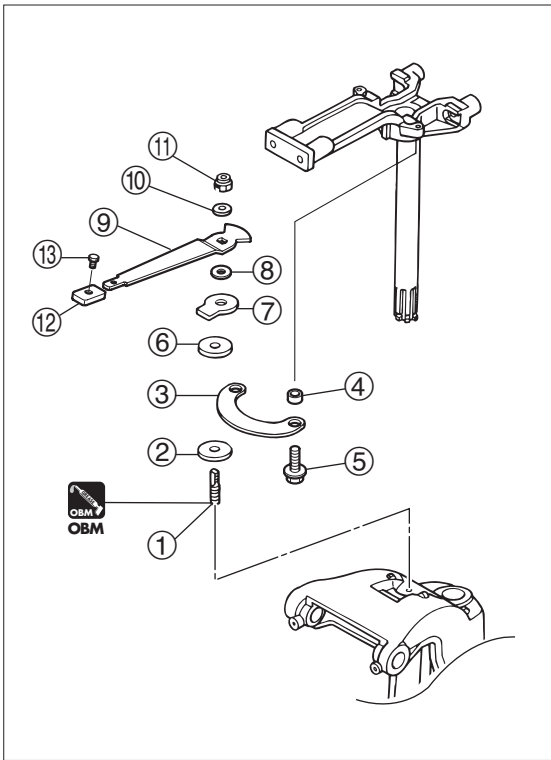
⚠ WARNING

Be sure to install neutral switch or it could result in start of engine with gear at other than neutral shift and leading passengers to falling or causing passenger to be thrown overboard.



Place shift at reverse (R) position when install neutral switch.

6. Remove front electrical cover.
7. Unplug green wire for starter solenoid. Plug neutral switch into those wires and place in holder. And then, reinstall electrical cover.



Friction Lever Installation

1. Install parts by following order.

- Bolt (stud) ①

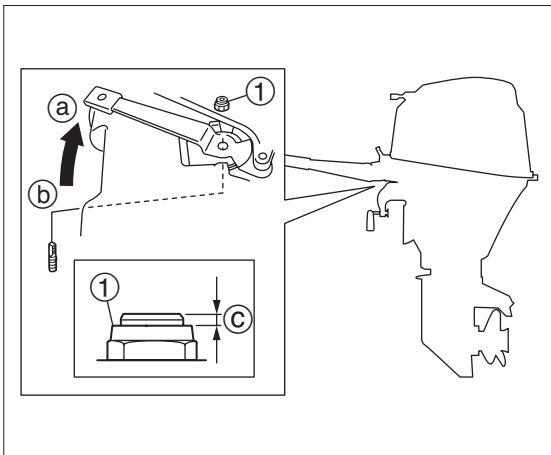


If it's difficult to install by hand, use double nut.

- Disc (1pc.) ②
- Plate ③
- Collar (2pcs.) ④
- Bolt (2pcs.) ⑤
- Disc (1pc.) ⑥
- Washer ⑦
- Washer (Nylon) ⑧
- Friction Lever ⑨
- Washer ⑩
- Nylon nut ⑪
- Cover ⑫
- Push pin ⑬



Do not apply grease to washers.



Friction Lever adjustment and operation

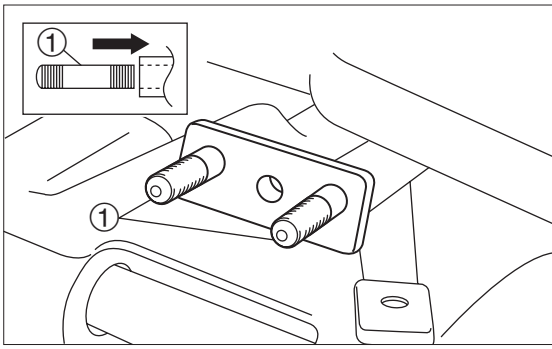
- Move friction lever towards starboard to tighten ① friction and tighten nylon nut ① to adjust maximum friction.
- Move friction lever towards port to loosen ② friction and confirm easily to control steering.

⚠ WARNING

- **Do not release tiller handle while operating. Friction lever is not for holding steering completely.**
- **Do not overtighten the steering friction or it could result in difficulty of movement resulting in the loss of control causing an accident and could lead to severe injury.**



To prevent nylon nut from failing, tighten nut until one thread of bolt ① can be seen above the nut.

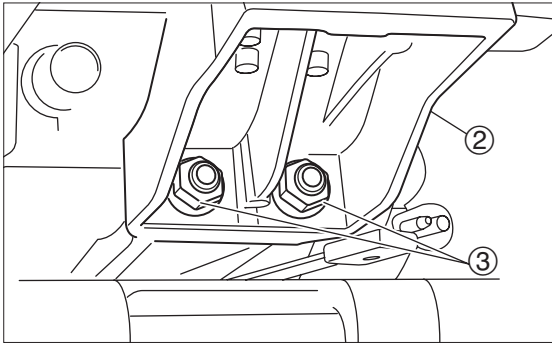


Multi function Tiller Handle installation

1. Install following parts.
 - Stud bolt (2pcs.) ①



Use double nuts to install

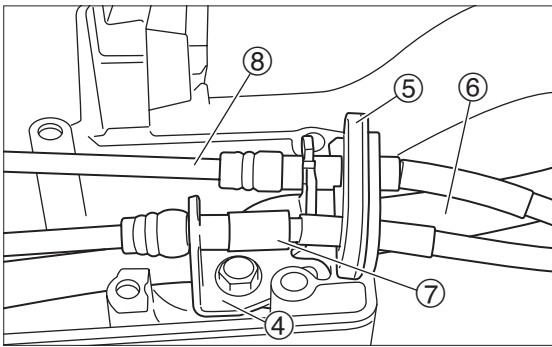


- Multi function tiller handle Ass'y ②
- Nylon nut, washer ③

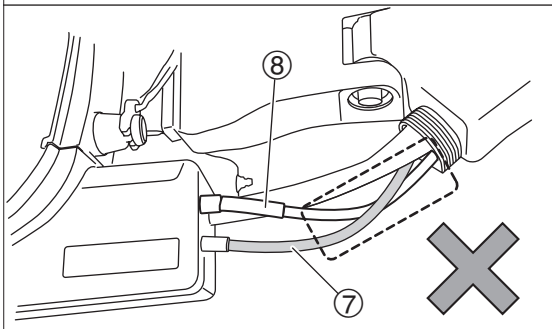
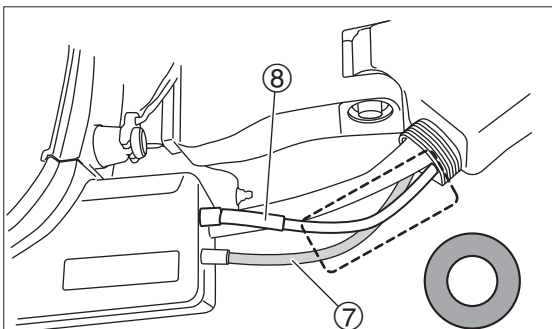


Nylon nut

26 N · m (19.5 lb · ft) [2.7 kgf · m]

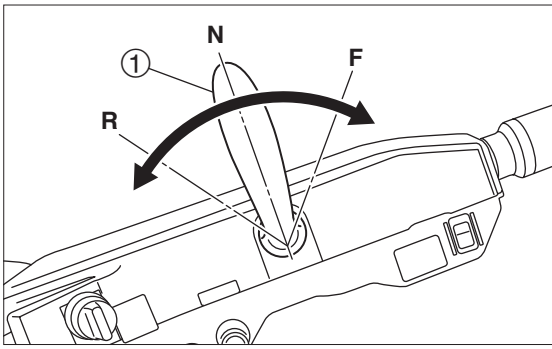


2. Remove cable clip ④.
3. Raise upper grommet ⑤ and place wire harness ⑥ in lower grommet.
4. Reinstall cable clip ④ to hold wire harness ⑥.
5. Put throttle cable ⑦ and shift cable ⑧ into cable clip ④.



CAUTION

Make sure throttle cable ⑦ come underneath shift cable ⑧ or it can shorten life of cables.

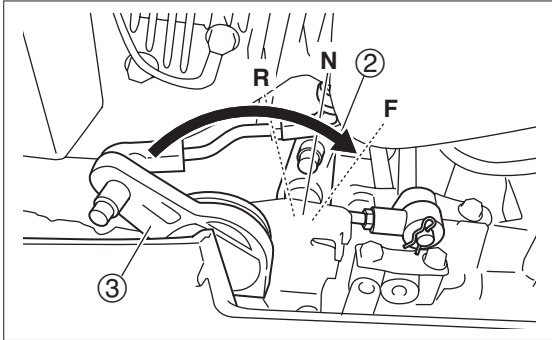


Shift/Throttle cable adjustment.

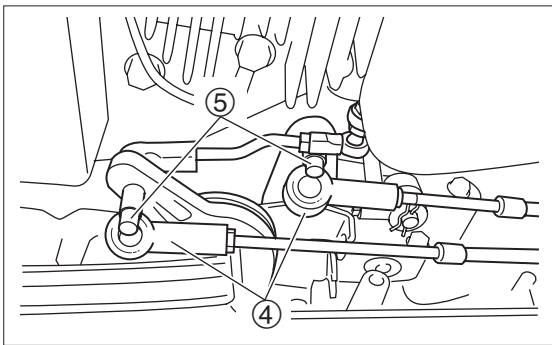
- Place shift lever ① at neutral position.

⚠ CAUTION

Shift lever cannot work unless throttle is fully closed. Do not force to change the shift.



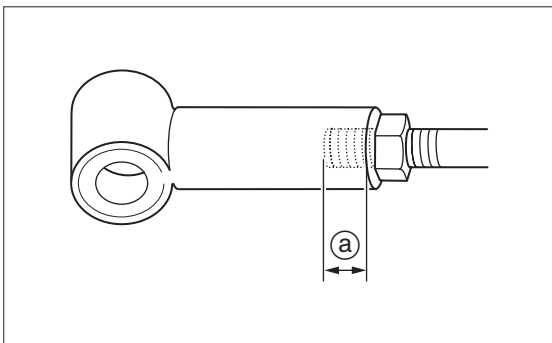
- Set shift arm ② to forward (F), neutral (N), reverse (R) and then to neutral (N) positions.
- Set throttle drum ③ to full open position. (arrowed direction)



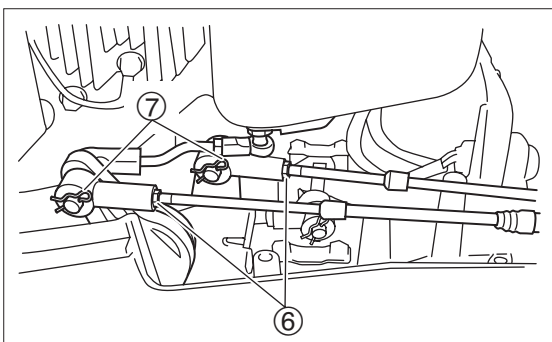
- Adjust screw in length of cable joint ④ so that hole of cable joint is brought to shift arm pin ⑤.

⚠ WARNING

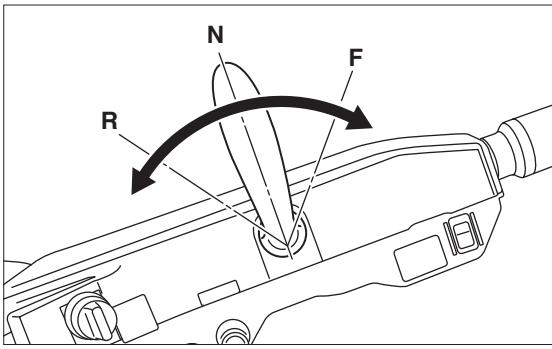
Screw in remote control cable joint at least 10mm (a).



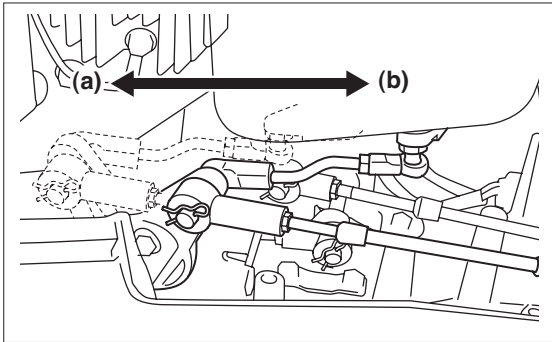
- Cable joints are in drag link package inside outboard box.
- After adjusting remote control cable joint, fix it with remote control cable fully pushed in.



- Lock joint with nut ⑥ and secure with washer and R pin ⑦.

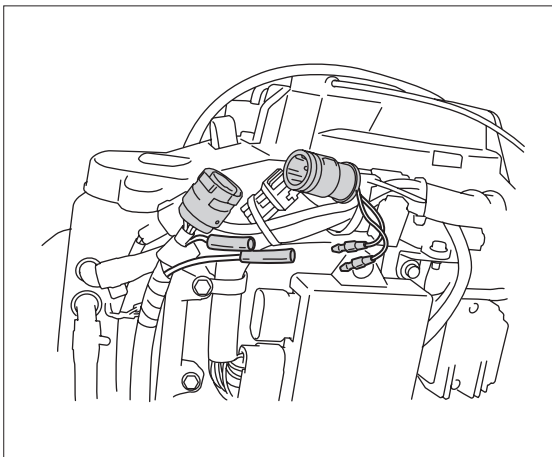


- Check the shift lever operation.



- Check idle and full throttle position to be certain of correct operation.

- (a) Fully closed
- (b) Full throttle




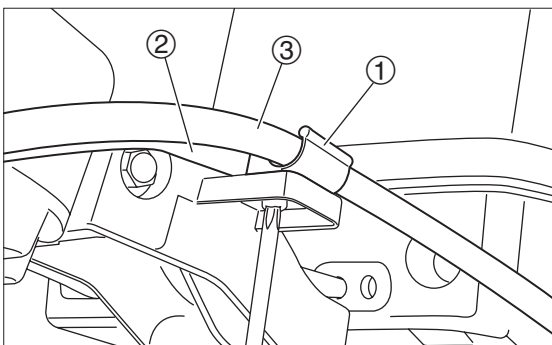
Wiring connection.

- Connect couplers and connectors of cord Ass'y.

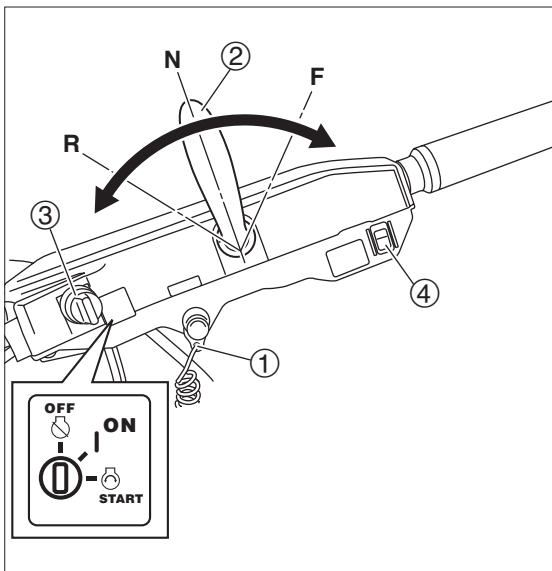
⚠ CAUTION

For P type, Neutral switch is not standard equipment. Be sure to install neutral switch.

 If motor has stop switch in bottom cowl, it can be disabled by unplugging the brown wire.



- Install cord holder ① to multi tiller handle. And then, place battery cord ② and fuel hose ③ in holder.



Operation Inspection

- Install stop switch lanyard ①.
- Place shift lever ② into neutral (N) position.
- Insert key ③ and place it into “OFF” position.

⚠ CAUTION

- **Do not operate the engine with gear case out of water.**
- **Shift lever cannot work unless throttle is fully closed. Do not force to change the shift.**
- **Be sure to confirm that NO parts will interfere with the boat or transom when the motor is at full tilt.**

- Neutral switch
Confirm that the engine does not start except when in neutral.
- Stop Switch
Confirm that engine will stop when turning the key to the “OFF” position or by removing the stop switch lanyard.
- PTT Switch ④
Press the “UP” and “DOWN” switch and confirm PTT is working correctly.
- Engine running
Start engine and confirm whether idling rpm is stabled at 850 ± 30 rpm. Also, confirm whether engine rpm accelerates smoothly.

Wiring Diagram

